

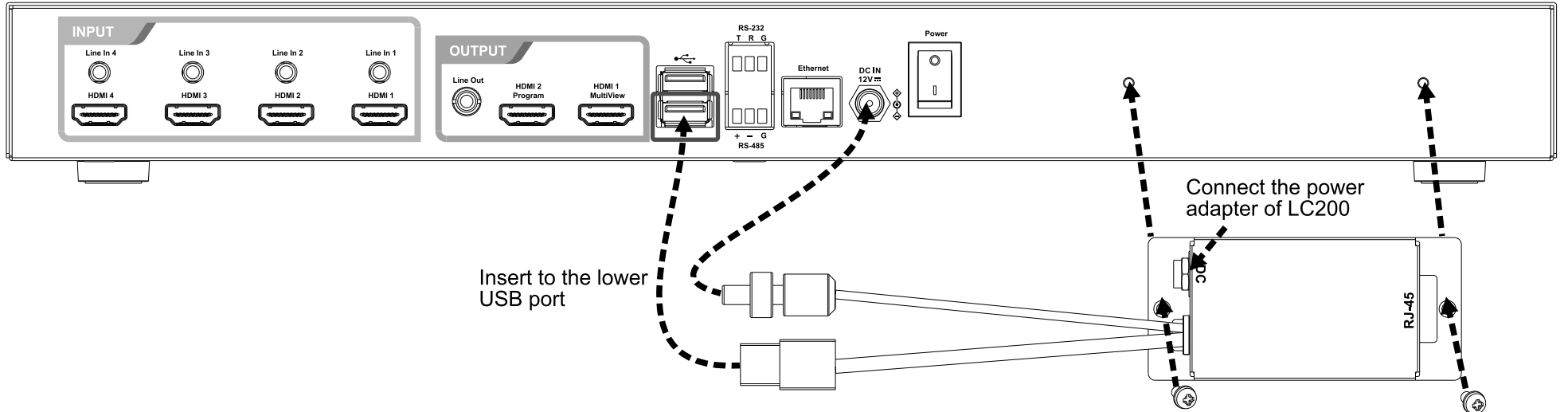
LC-RC01 Installation Guide

1. Accessory

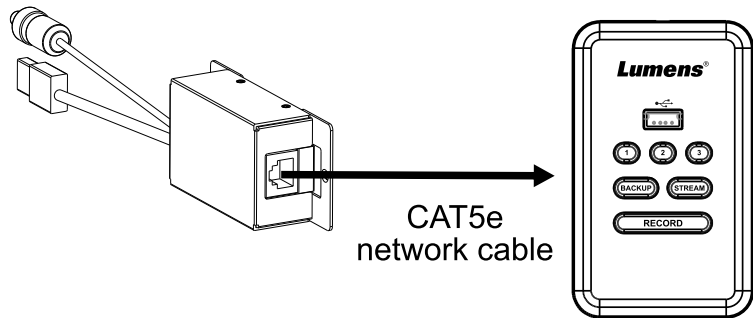
- 1.1 M3 x 4 screws x 2 for securing the device
- 1.2 Quick Installation Guide

2. Installation

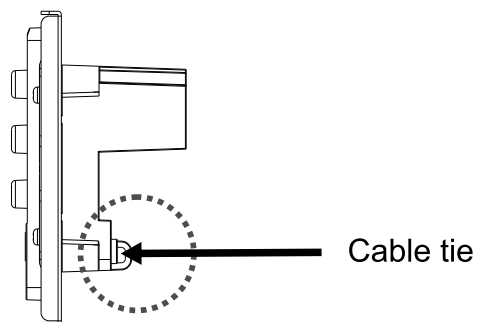
1. Secure the adapter to the media processor LC200 with screws and connect the DC power and USB



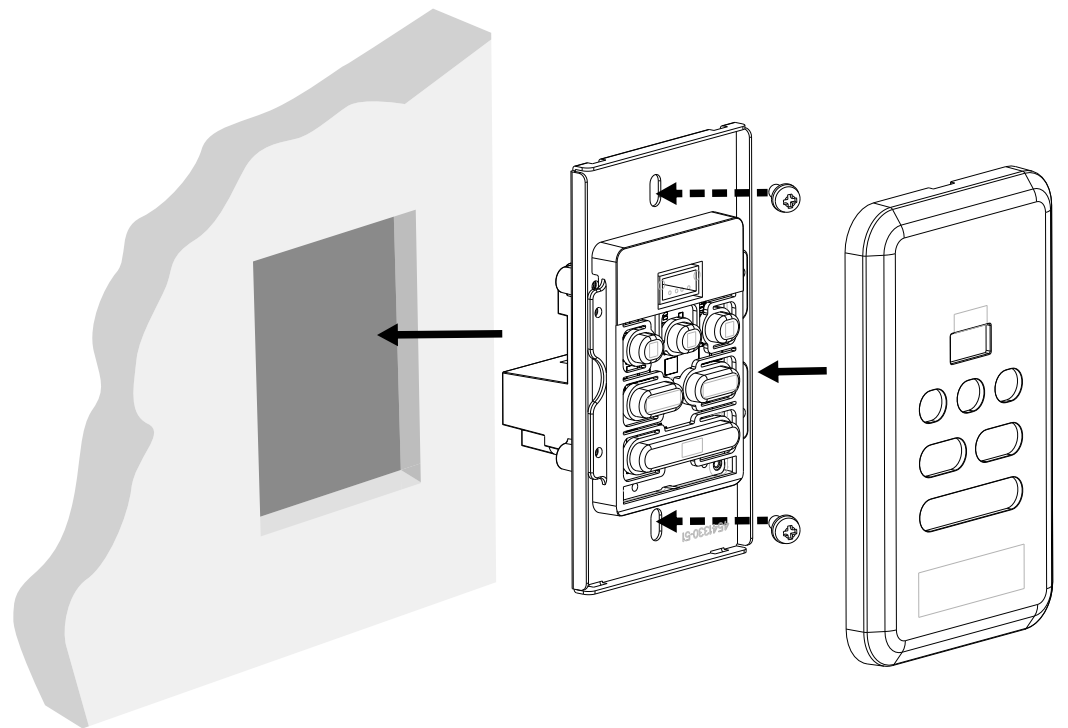
2. Use the CAT5e network cable for connection (the length shall not exceed 30 meters)



3. Pass a cable tie through the mounting hole to secure the network cable onto the LC-RC01 control box.

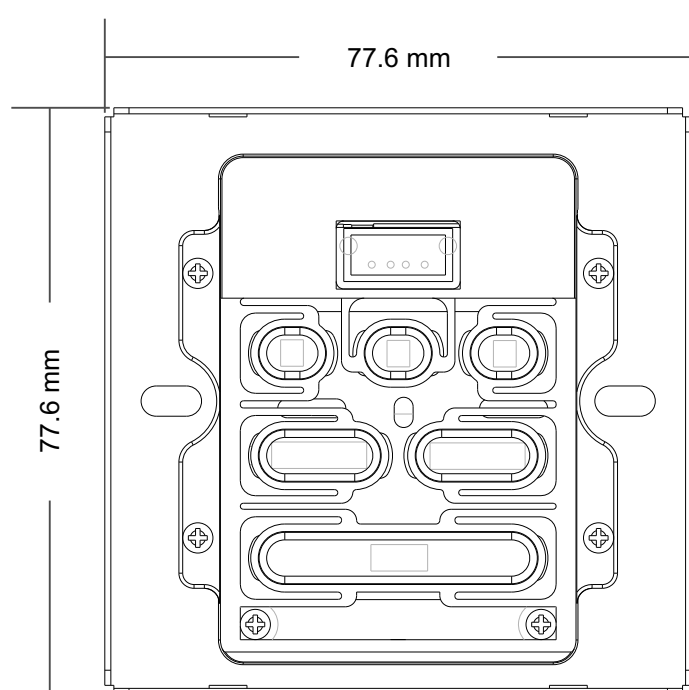


4. Install the control box on the wall

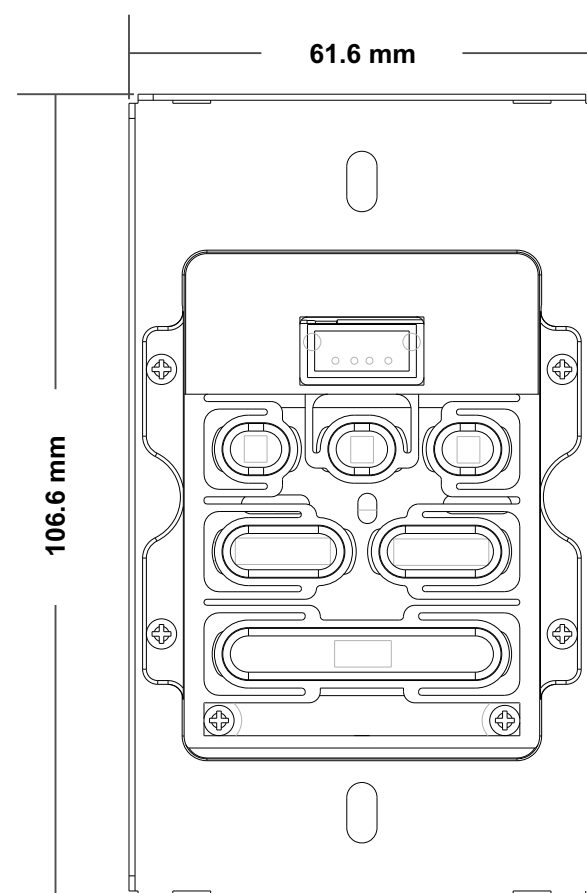


3. Size

*In 1:1 scale



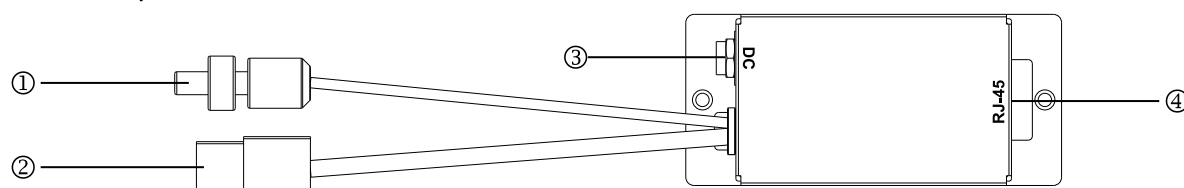
LC-RC01E
EU regulations



LC-RC01U
North America regulations

4. Interface Description

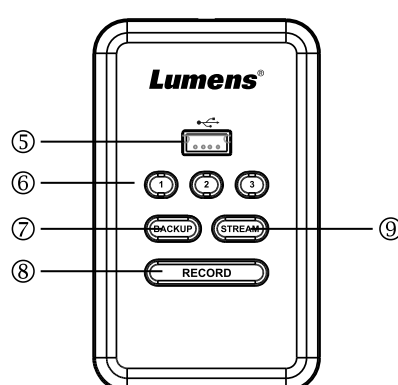
*LC-RC01 adapter



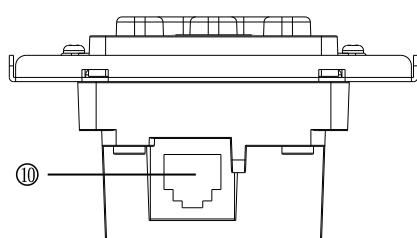
NO.	ITEM	Function Descriptions
1.	DC power output connector	Connect to the LC200 device body
2.	USB control connector	Connect to the LC200 USB port
3.	DC power input interface	Connect the power cord originally connected to LC200 to this power input port
4.	RJ-45 network cable port	Connect the control box

*LC-RC01 control box

Front View



Bottom



NO.	ITEM	Function Descriptions
5.	USB 2.0 port	Is available for inserting the USB flash disk
6.	1_2_3	Switch the Macro setting 1~3 to change the scene and camera preset position
7.	BACKUP	Press the button once to start the backup; press the button again to stop the backup (back up the last video directory to the USB flash disk)
8.	RECORD	Press the button once to start recording; press the button again to stop recording
9.	STREAM	Press the button once to start streaming; press the button again to stop streaming
10.	RJ-45 network cable port	Connect to RJ45 of the adapter